

# Aluna Systems, Inc

## Aluna Light Pole™ All Around White Stern Light

Data Sheet Rev. 1 (Nov 2017)

**Applicable to:** Boats up to 12 m (39.4 ft).

**Certifications:** Meets USCG 33 CFR 183.810, ABYC A-16 and all applicable standards as tested by Imanna Laboratories, 11-14-2017 for 2 NM visibility.

### **Electrical Specifications:**

**Operational Input Voltage:** Minimum: 10.5 VDC Maximum: 26 VDC  
**Operational Current:** Minimum: 0.145A @ 26VDC Maximum: 0.320A @ 10.5 VDC  
**Operational Power:** 3.4 W nominal (0.283A @ 12 VDC)

Note: Voltages below the minimum will result in reduced output light intensity.

### **Wiring:**

Red wire – connect to (+) side of battery

Black wire – connect to (-) side of battery

### Notes

- Reverse voltage polarity protected.
- If light does not illuminate switch wiring
- Positive wire requires a 1 amp fuse to protect wiring
- The pole socket metal is electrically isolated (not grounded)

### **Mounting:**

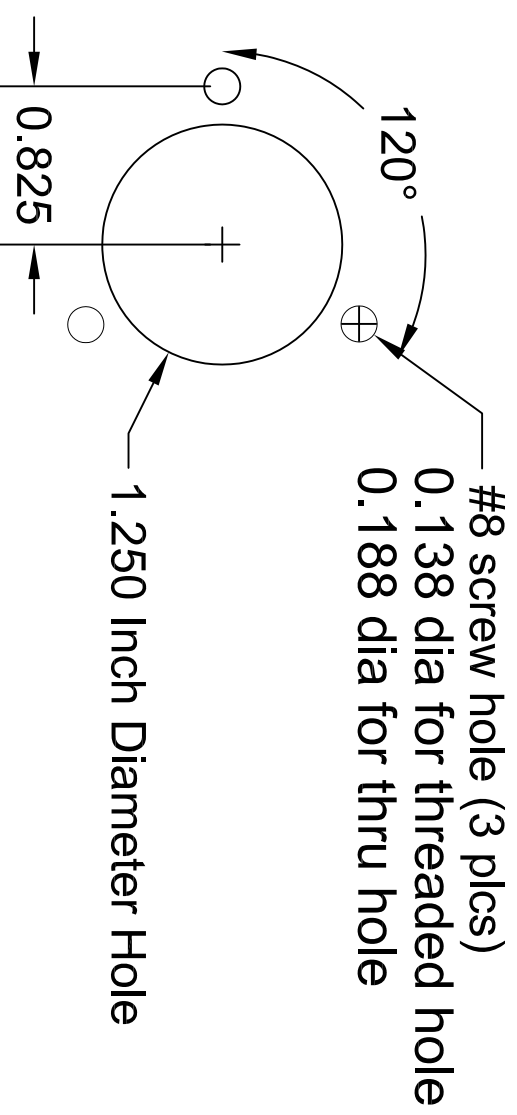
USCG regulations require the light source to be one meter (39.4 inches) or more above the bow lights. The light output should be parallel to the water surface, visible for 360 degrees and not shine in the operator's eyes. This information is for reference only. Installer is responsible for compliance with applicable regulations. Aluna Light Pole™ Socket Mounting Template is attached.

### **Maintenance:**

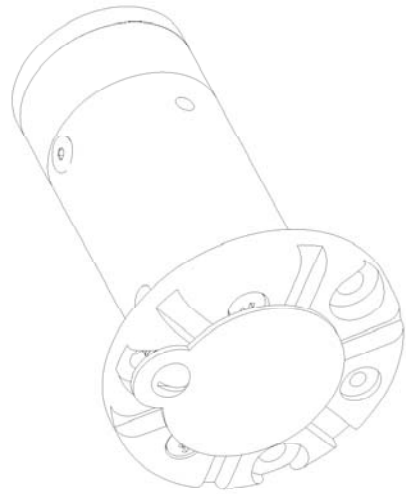
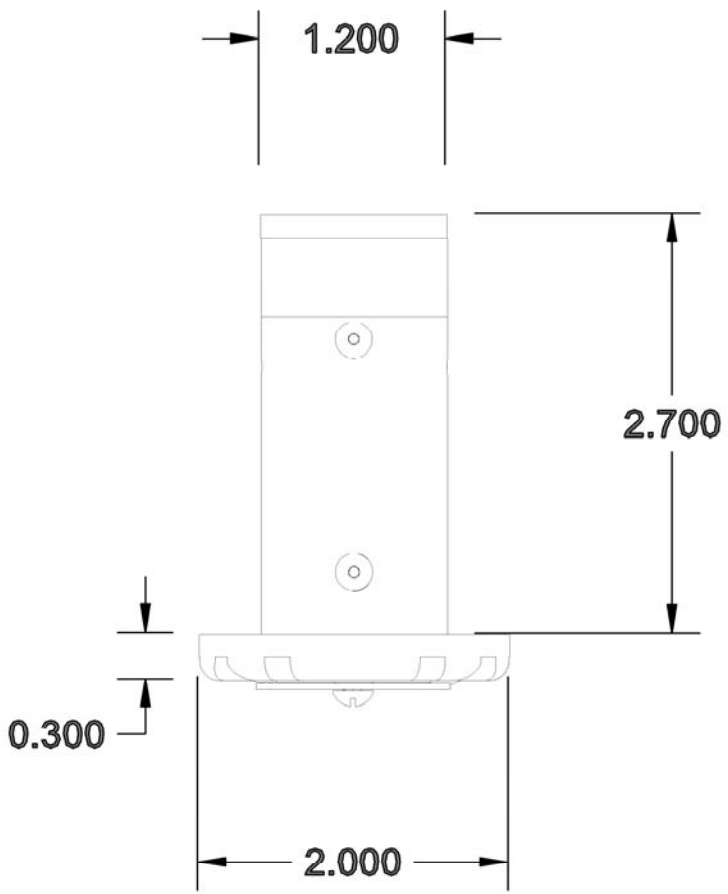
The Aluna Light Pole™ is a rugged design and requires minimal maintenance beyond fresh water cleaning. In particular, the light input end should be free of salt or other substance buildup. Wiping the end with a wet soft cloth is usually sufficient. When not in use, it should be stored in a secure area where it will not be subject to damage.

The Aluna Light Pole™ socket is constructed of anodized aluminum and plastic and should be flushed with fresh water to clean out salt or other substances. The socket has drain holes that will discharge the water. Alternatively it can be wiped clean with a wet cloth. Keep the cover in place when not in use to prevent salt, sea grass and other substances out of the socket.

## Aluna Light Pole Socket Mounting Template



Use 3 each #8 Stainless Steel screws with nylon washers under screw heads.



**Aluna Light Pole Socket**